

# Pauluhn ECOS EMAR linear fluorescent luminaires

For use in marine environments

Marine Locations  
Type 4X, IP66

5L

## Applications:

- Shipyards
- Docks
- Marine vessels

## Features:

- UV stabilized, impact-resistant fiberglass-reinforced polyester housing
- Shock- and vibration-resistant lamp holders reduce premature lamp failure
- Available in two and four foot lengths
- T8, T5, T5HO lamps in 1-, 2- or 3-lamp configurations
- Ceiling, wall and pipe clamp
- Shock mount
- Tool-less entry for ease of installation
- Up to three gland entries at each end, suitable for dead end, through feed or single-ended "T" wiring
- Lens is removable at 120°, allowing for narrow gap mounting between obstructions

## Certifications and compliances:

- UL924 – Emergency Lighting Equipment
- UL1598A – Luminaires for Marine Vessels
- ABS
- Type 4X
- IP66
- Marine Outside Type Salt Water

## Standard materials:

- Housing – fiberglass-reinforced polyester
- Lens – injection molded polycarbonate
- Reflector – engineered plastic
- Gaskets – silicone
- Latches – stainless steel
- Lamp holders – polycarbonate

## Electrical ratings:

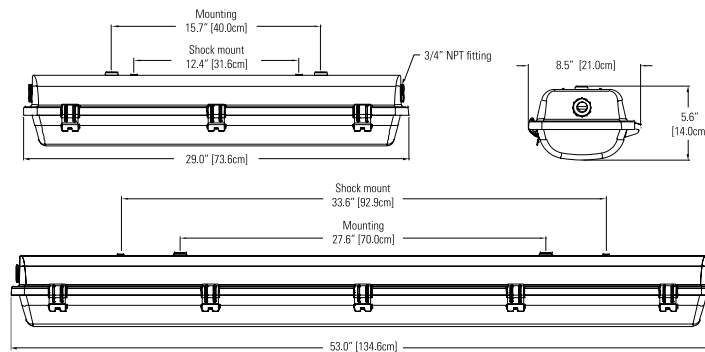
- 120-277 VAC, 50/60 Hz
- Optional emergency battery back-up ballast (self-contained 90 minute minimum with LED charge status indicator for all lamp types)



## Temperature performance data:

Lamp watts (2 ft. / 4 ft.)	Ballast / socket type	ANSI lamp code	Supply wire °C
14/28	T5 mini bi-pin G5	F14 / F28-T5	90
24/54	T5HO mini bi-pin G5	F24 / F54-T5HO	90
17/32	T8 bi-pin G13	F17 / 32-T8	90
17/32	T8 bi-pin G13	F17 / 32-T8	90
18/36	T8 bi-pin G13	F18 / 36-T8	90

## Dimensions:



## Weights:

Model	Weight (lbs.)	Weight (kg.)
2 foot	9.0	4.0
4 foot	17.0	8.0

# Pauluhn ECOS EMAR linear fluorescent luminaires

For use in marine environments

Marine Locations  
Type 4X, IP66

5L

## Ordering information:

Part number example  
**EMAR42174000L**

# EMAR 4 2 1 7 4 000 L

### Length (nominal)

2	2 foot
4	4 foot

### Number of lamps

1	1 lamp
2	2 lamps
3 <sup>A</sup>	3 lamps

### Lamp types

1	2 ft. 17 or 4 ft. 32 T8 bi-pin
3	2 ft. 18 or 4 ft. 36 T8 bi-pin
5	2 ft. 24 or 4 ft. 54 T5HO bi-pin
6	2 ft. 14 or 4 ft. 28 T5 bi-pin

### Voltage / frequency

7	120-277 VAC, 50/60 Hz
6 <sup>B</sup>	347 VAC, 60 Hz
9	480 VAC, 60 Hz

### Options

<b>EM2</b>	Emergency ballast, one lamp, 277V max.
<b>EM3</b>	Emergency ballast, high lumen, one lamp, 277V max.
<b>EMT2</b>	Emergency ballast, one lamp, 277V max., test switch
<b>EMT3</b>	Emergency ballast, high lumen, one lamp, 277V max., test switch
<b>LC</b>	Lamps
<b>T</b>	Terminal block, 5-pole
<b>T2</b>	Two terminal blocks, 5-pole, one on each end
<b>RV-1<sup>D</sup></b>	Red filter tube on single lamp ballast
<b>BV-1<sup>D</sup></b>	Blue filter tube on single lamp ballast
<b>YV-1<sup>D</sup></b>	Yellow filter tube on single lamp ballast

### Mounting options

1	Ceiling bracket, stainless steel
2	Wall mount cornice bracket
3	Pipe clamp bracket
5	Shock mount brackets (factory installed only)

### Entry

<b>000</b>	¾" plastic gland at one end, plugged ¾" entry
<b>412</b>	One gland at each end
<b>422</b>	Two glands at each end
<b>432</b>	Three glands at each end

<sup>A</sup>Emergency ballast not available with 2 ft., 3-lamp fixtures.  
<sup>B</sup>Emergency ballast not available with 347 VAC model, 2 ft. fixtures or 4 ft. fixtures with wall bracket.  
<sup>C</sup>Lamp not included unless 'L' option is specified.  
<sup>D</sup>Not available on 24W or 54W T5HO lamps.

# Pauluhn ECOS EMAR linear fluorescent luminaires

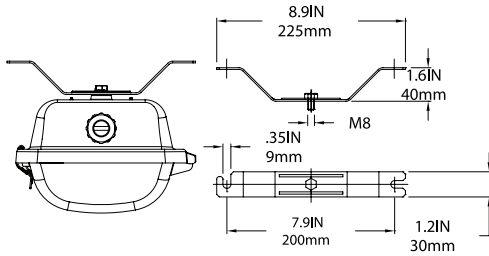
For use in marine environments

Marine Locations  
Type 4X, IP66

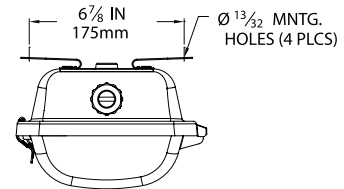
5L

## Mounting options:

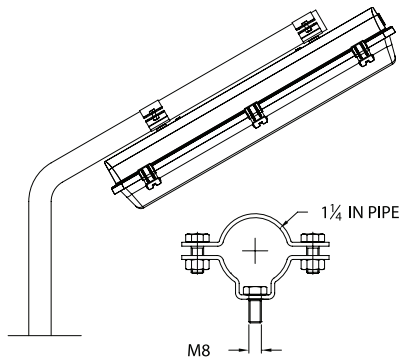
### Ceiling mount (ECO1091MTK)



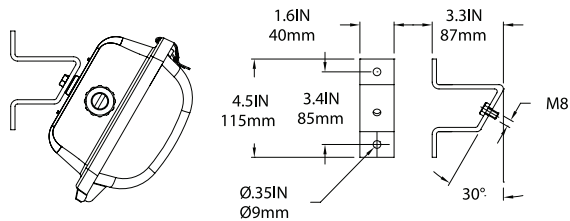
### Shock mount cornice bracket (factory installed)



### Pipe clamp bracket (ECOPMKT)



### Wall mount (ECOWMKT)



5L